



PRODUCT CHANGE NOTIFICATION (PCN)

ISSUE DATE: 25/4/2022
MODIFICATION / REVISION DATE: 25/4/2022

A-MCUP-80010/G MODULAR CABLE

CHANGE NOTIFICATION: PCN 20220425_A-MCUP-80010/G

DESCRIPTION OF CHANGES: CHANGE OF DATA SHEET
CHANGE OF DATA SHEET
New Draw.-No. ASS_7407_CArev04

REASON FOR CHANGE: CHANGE OF PRODUCT LOCATION
CHANGE OF PRODUCT LOCATION

KEY CHARACTERISTICS OF CHANGE: Details see page 3

PRODUCTS AFFECTED: A-MCUP-80010/G

DATE OF CHANGE AND IMPLEMENTATION: CHANGE: WEEK 18 / YEAR 2022
IMPLEMENTATION: 25/4/2022

RESPONSE: NO RESPONSE TO THIS NOTIFICATION IS REQUIRED



PRODUCT CHANGE NOTIFICATION (PCN)

ISSUE DATE: 25/4/2022
MODIFICATION / REVISION DATE: 25/4/2022

REFERENCE DOCUMENTS / ATTACHMENTS:
DOCUMENT: DRAWING

ASSMANN WSW P/N	Drawing Number		ASSMANN WSW P/N	Drawing Number
A-MCUP-80010/G	ASS_7407_CArev03	↔	A-MCUP-80010/G	ASS_7407_CArev04

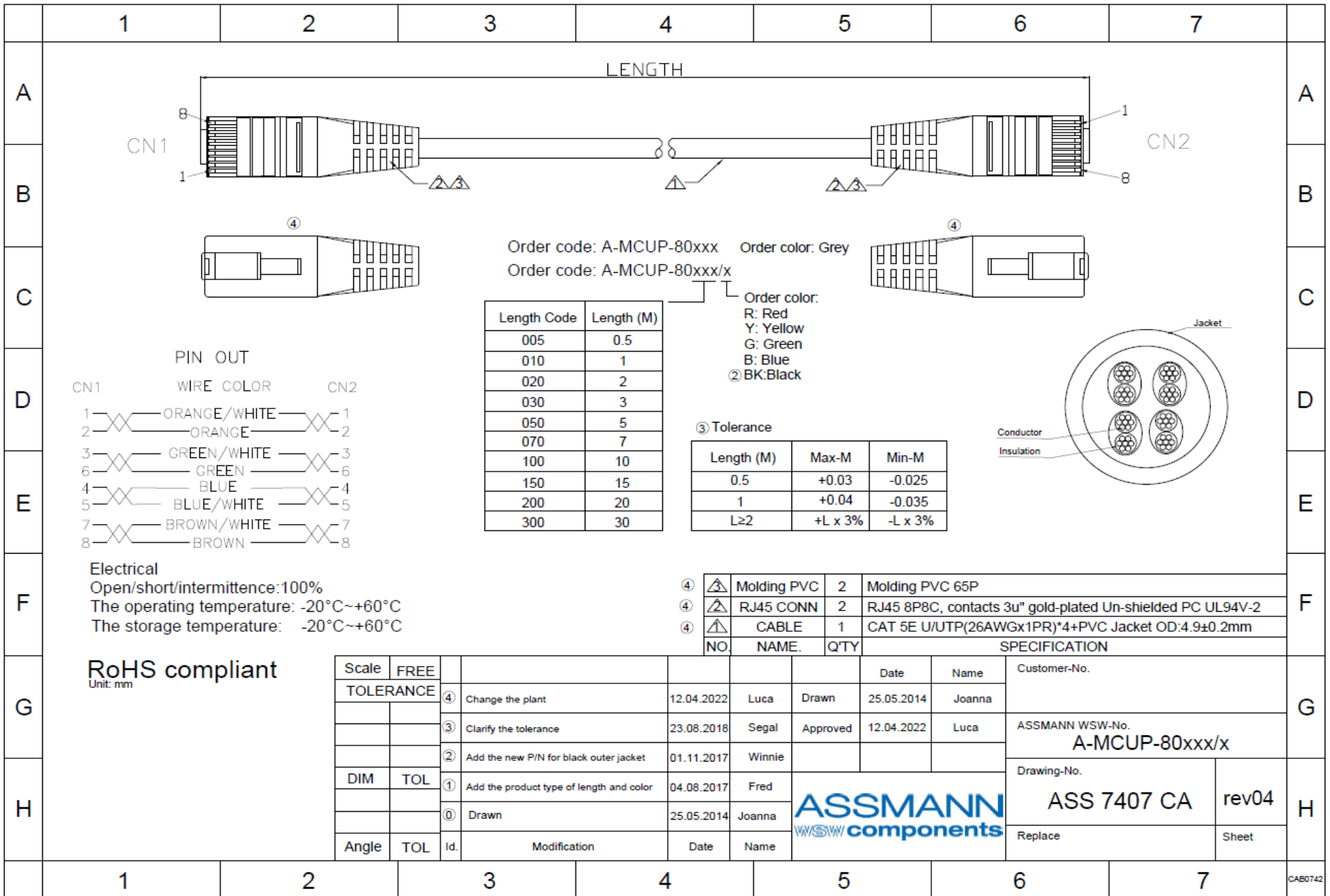


Auf dem Schüffel 1
 D-58513 Lüdenscheid
 Tel.: +49-2351 - 554-200
 Fax +49 (2351) 554-861
 info@assmann-wsw.com
 www.assmann-wsw.com

PRODUCT CHANGE NOTIFICATION (PCN)

ISSUE DATE: 25/4/2022
 MODIFICATION / REVISION DATE: 25/4/2022

A-MCUP-80010/G	OLD VERSION	A-MCUP-80010/G	NEW VERSION																																
<p>Appearance</p>		<p>Appearance</p>																																	
<p>BOM</p> <table border="1"> <thead> <tr> <th>NO.</th> <th>NAME.</th> <th>QTY</th> <th>SPECIFICATION</th> </tr> </thead> <tbody> <tr> <td>③</td> <td>Molding PVC</td> <td>2</td> <td>Molding PVC 45P</td> </tr> <tr> <td>②</td> <td>RJ45 CONN</td> <td>2</td> <td>RJ45 8P8C, Two Fork gold plated contacts 3u" gold</td> </tr> <tr> <td>①</td> <td>CABLE</td> <td>1</td> <td>UTP(26AWG*x1PR)*4+PVC OD:4.9±0.2mm</td> </tr> </tbody> </table>		NO.	NAME.	QTY	SPECIFICATION	③	Molding PVC	2	Molding PVC 45P	②	RJ45 CONN	2	RJ45 8P8C, Two Fork gold plated contacts 3u" gold	①	CABLE	1	UTP(26AWG*x1PR)*4+PVC OD:4.9±0.2mm	<p>BOM</p> <table border="1"> <thead> <tr> <th>NO.</th> <th>NAME.</th> <th>QTY</th> <th>SPECIFICATION</th> </tr> </thead> <tbody> <tr> <td>④</td> <td>Molding PVC</td> <td>2</td> <td>Molding PVC 65P</td> </tr> <tr> <td>④</td> <td>RJ45 CONN</td> <td>2</td> <td>RJ45 8P8C, contacts 3u" gold-plated Un-shielded PC UL94V-2</td> </tr> <tr> <td>④</td> <td>CABLE</td> <td>1</td> <td>CAT 5E U/UTP(26AWGx1PR)*4+PVC Jacket OD:4.9±0.2mm</td> </tr> </tbody> </table>		NO.	NAME.	QTY	SPECIFICATION	④	Molding PVC	2	Molding PVC 65P	④	RJ45 CONN	2	RJ45 8P8C, contacts 3u" gold-plated Un-shielded PC UL94V-2	④	CABLE	1	CAT 5E U/UTP(26AWGx1PR)*4+PVC Jacket OD:4.9±0.2mm
NO.	NAME.	QTY	SPECIFICATION																																
③	Molding PVC	2	Molding PVC 45P																																
②	RJ45 CONN	2	RJ45 8P8C, Two Fork gold plated contacts 3u" gold																																
①	CABLE	1	UTP(26AWG*x1PR)*4+PVC OD:4.9±0.2mm																																
NO.	NAME.	QTY	SPECIFICATION																																
④	Molding PVC	2	Molding PVC 65P																																
④	RJ45 CONN	2	RJ45 8P8C, contacts 3u" gold-plated Un-shielded PC UL94V-2																																
④	CABLE	1	CAT 5E U/UTP(26AWGx1PR)*4+PVC Jacket OD:4.9±0.2mm																																
<p>FOR DETAIL, PLEASE TAKE ATTACHED NEW DRAWING: FOR REFERENCE</p>																																			



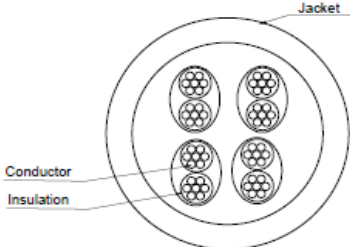
Order code: A-MCUP-80xxx Order color: Grey
 Order code: A-MCUP-80xxx/x

Length Code	Length (M)
005	0.5
010	1
020	2
030	3
050	5
070	7
100	10
150	15
200	20
300	30

Order color:
 R: Red
 Y: Yellow
 G: Green
 B: Blue
 ② BK:Black

③ Tolerance

Length (M)	Max-M	Min-M
0.5	+0.03	-0.025
1	+0.04	-0.035
L≥2	+L x 3%	-L x 3%



PIN OUT

CN1	WIRE COLOR	CN2
1	ORANGE/WHITE	1
2	ORANGE	2
3	GREEN/WHITE	3
6	GREEN	6
4	BLUE	4
5	BLUE/WHITE	5
7	BROWN/WHITE	7
8	BROWN	8

Electrical
 Open/short/intermittence:100%
 The operating temperature: -20°C~+60°C
 The storage temperature: -20°C~+60°C

④	△	Molding PVC	2	Molding PVC 65P
④	△	RJ45 CONN	2	RJ45 8P8C, contacts 3u" gold-plated Un-shielded PC UL94V-2
④	△	CABLE	1	CAT 5E U/UTP(26AWGx1PR)*4+PVC Jacket OD:4.9±0.2mm
NO.	NAME.	Q'TY	SPECIFICATION	

RoHS compliant
 Unit: mm

Scale	FREE					Date	Name	Customer-No.
TOLERANCE		④	Change the plant	12.04.2022	Luca	Drawn	25.05.2014	Joanna
		③	Clarify the tolerance	23.08.2018	Segal	Approved	12.04.2022	Luca
		②	Add the new P/N for black outer jacket	01.11.2017	Winnie			
DIM	TOL	①	Add the product type of length and color	04.08.2017	Fred			
		①	Drawn	25.05.2014	Joanna			
Angle	TOL	Id.	Modification	Date	Name			

Customer-No.	
ASSMANN WSW-No. A-MCUP-80xxx/x	
Drawing-No.	rev04
ASS 7407 CA	Sheet
Replace	